



FINALES DE CARRERA

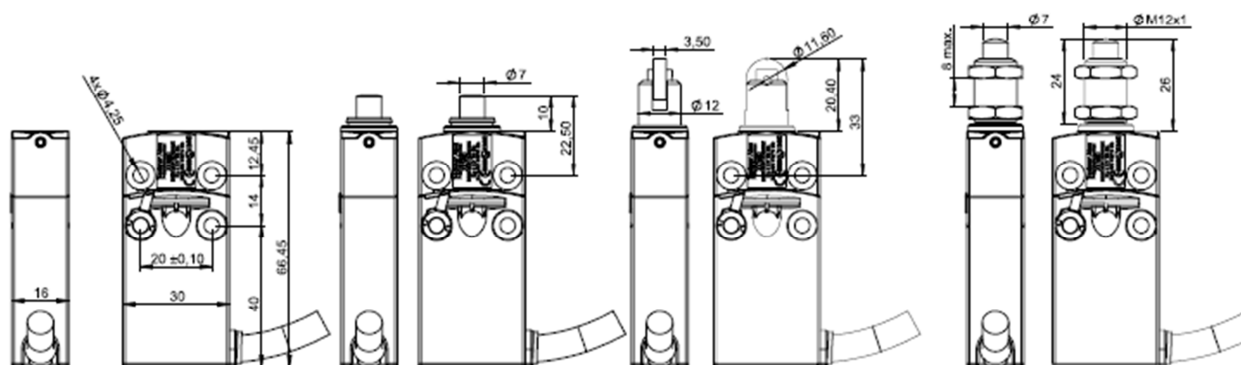
Material	Zamak	Shock resistance	25 gn (18ms) according to IEC 60068-2-27
IP rating	IP66 - IP67	Vibration resistance	5 gn selon IEC 60068-2-27
Operating temperature	-20°C ... +60°C	Rated thermal current	6 A for 2 contact versions, 3 A for 4 contacts
Storage temperature	-40°C ... +70°C	Rated insulation voltage	400 V according to IEC 60947-5-1
Approvals	INERIS 03ATEX0083X	Contacts, snap action	1 x NC + 1 x NO or 2 x NC + 2 x NO
Standards	EN/IEC: 60079-0, 60079-1, 60079-31	Resistance across terminals	≤ 25 mΩ according to IEC 60255-7 category 3
Ex-code	II 2 GD Ex d IIC T6 Gb	Operational characteristics	Switches with 2 contacts AC-15 ; C300 (Ue = 240 V, Ie = 1.5 A) DC-13 ; R300 (Ue = 250 V, Ie = 0.1 A)
Repeat accuracy	0.05 mm on the tripping points, with 1 million de operating cycles for head with end plunger		Switches with 4 contacts AC-15 ; C300 (Ue = 240 V, Ie = 0.75 A) DC-13 ; R300 (Ue = 250 V, Ie = 0.1 A)

Limit switch Ex d with actuators mounted. Heavy duty and compact with 2 or 4 snap action contacts

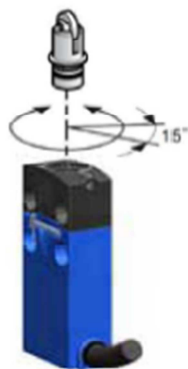
Part number by type of actuator with cable	Fixing by the body				Fixing by the head			
								
	Metal end plunger	Steel roller plunger	M12 with metal end plunger	M12 with steel roller plunger	2 contacts	4 contacts	2 contacts	4 contacts
	2 contacts	4 contacts	2 contacts	4 contacts	2 contacts	4 contacts	2 contacts	4 contacts
1 m long	XCWD2110L1	XCWD4110L1	XCWD2102L1	XCWD4102L1	XCWD21F0L1	XCWD410L1	XCWD21F2L1	XCWD41F2L1
2 m long	XCWD2110L2	XCWD4110L2	XCWD2102L2	XCWD4102L2	XCWD21F0L2	XCWD410L2	XCWD21F2L2	XCWD41F2L2
5 m long	XCWD2110L5	XCWD4110L5	XCWD2102L5	XCWD4102L5	XCWD21F0L5	XCWD410L5	XCWD21F2L5	XCWD41F2L5
10 m long	XCWD2110L10	XCWD4110L10	XCWD2102L10	XCWD4102L10	XCWD21F0L10	XCWD410L10	XCWD21F2L10	XCWD41F2L10

Part number by type of actuator with cable	Fixing by the body							
								
	Thermoplastic roller lever	Steel roller lever	Variable length thermoplastic roller lever	Variable length steel roller lever	2 contacts	4 contacts	2 contacts	4 contacts
	2 contacts	4 contacts	2 contacts	4 contacts	2 contacts	4 contacts	2 contacts	4 contacts
1 m long	XCWD2115L1	XCWD4115L1	XCWD2116L1	XCWD4116L1	XCWD2145L1	XCWD4145L1	XCWD2146L1	XCWD4146L1
2 m long	XCWD2115L2	XCWD4115L2	XCWD2116L2	XCWD4116L2	XCWD2145L2	XCWD4145L2	XCWD2146L2	XCWD4146L2
5 m long	XCWD2115L5	XCWD4115L5	XCWD2116L5	XCWD4116L5	XCWD2145L5	XCWD4145L5	XCWD2146L5	XCWD4146L5
10 m long	XCWD2115L10	XCWD4115L10	XCWD2116L10	XCWD4116L10	XCWD2145L10	XCWD4145L10	XCWD2146L10	XCWD4146L10

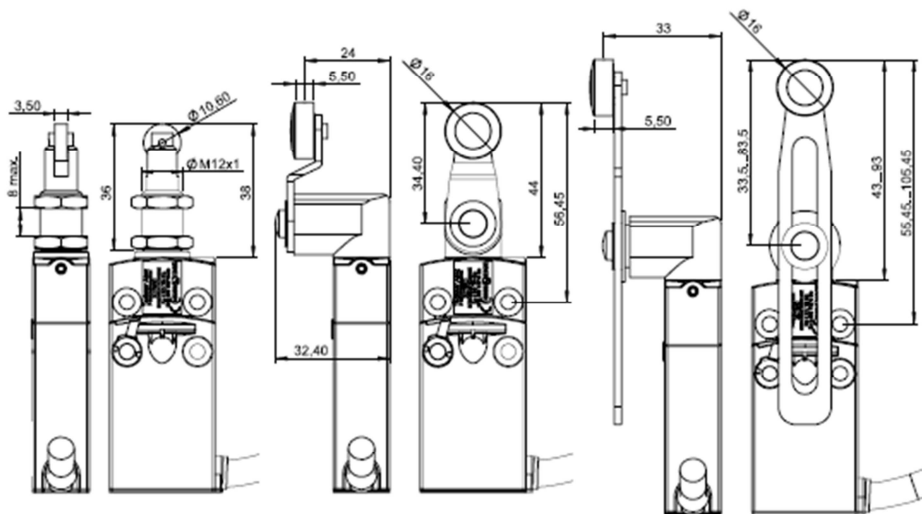
Dimensions (mm) and characteristics



Switch actuation	On end	By 30° cam	On end
Maximum actuation speed	0,5 m/s	0,5 m/s	0,5 m/s
Mechanical durability	10 million operating cycles		
Minimum force or torque	for tripping	8,5 N	7 N
	for positive opening	42,5 N	35 N
Cabling	PvR cable: 5 x 0,75 mm ² for 2-pole contact versions, 9 x 0,34 mm ² for 4-pole contact versions		

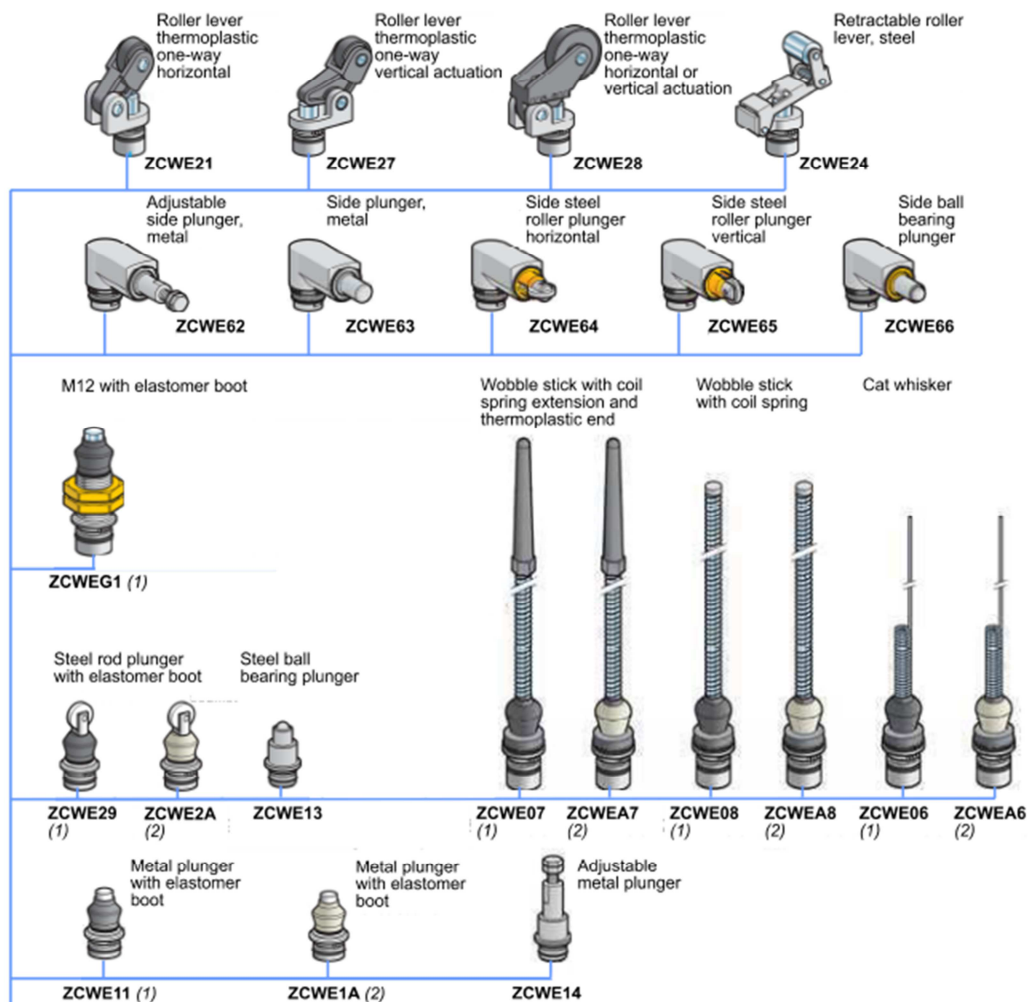


All actuators can be adjusted from 15° to 15° on 360° relative to the body



Switch actuation	By 30° cam	By 30° cam	By 30° cam
Maximum actuation speed	0,1 m/s	1,5 m/s	
Mechanical durability	10 million operating cycles		
Minimum force or torque	for tripping	7 N	0,1 N.m
	for positive opening	35 N	0,5 N.m
Cabling	PvR cable: 5 x 0,75 mm ² for 2-pole contact versions, 9 x 0,34 mm ² for 4-pole contact versions		

Variable components - Actuator and body unassembled



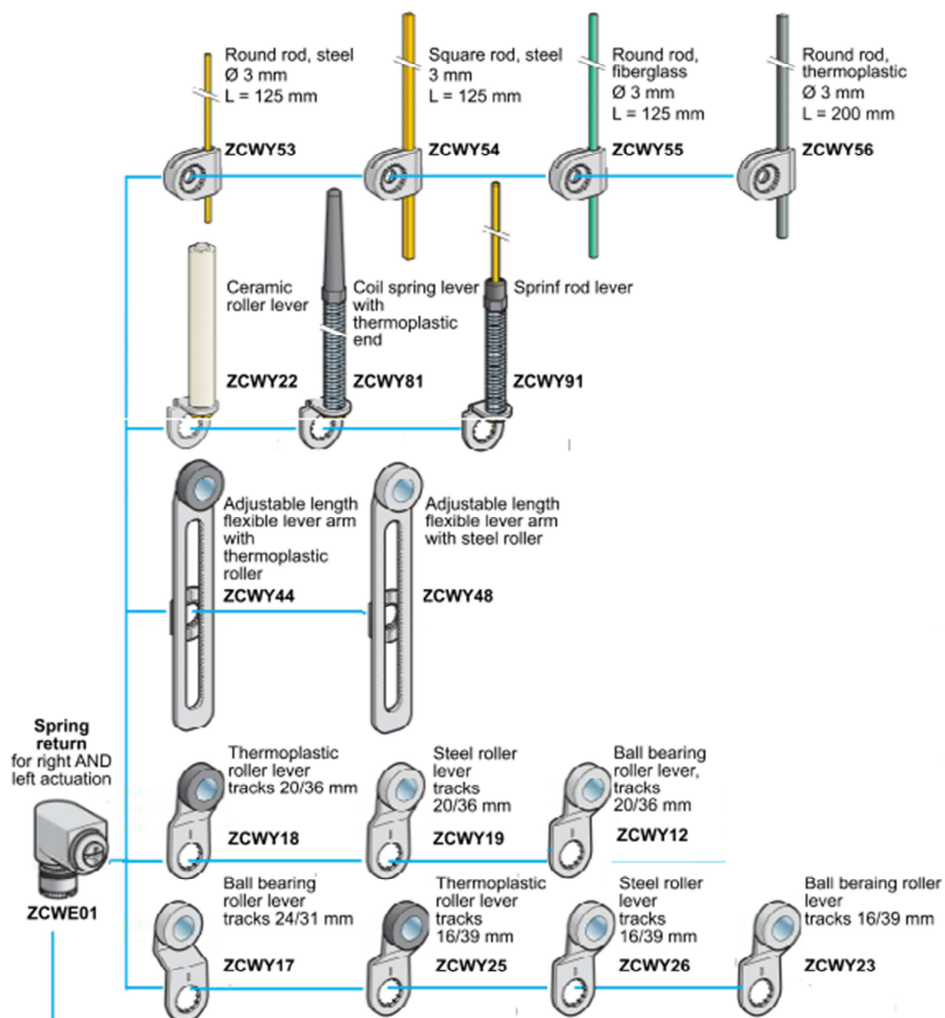
(1) Nitrile boot for use within a local
(2) Silicone boot for use outside of a local



Part number of the body - When ordering specify the selected actuator				
Number of contacts (3)	Body with cable 1 m long	Body with cable 2 m long	Body with cable 5 m long	Body with cable 10 m long
2 contacts: 1xNO + 1xNC	ZCWD2L1	ZCWD2L2	ZCWD2L5	ZCWD2L10
4 contacts: 2xNO + 2xNC	ZCWD4L1	ZCWD4L2	ZCWD4L5	ZCWD4L10

(3) Snap action contacts

Variable components - Actuator, head and body unassembled



Part number of the body - When ordering specify the part ZCWE01 and the selected actuator

Number of contacts (3)	Body with cable 1 m long	Body with cable 2 m long	Body with cable 5 m long	Body with cable 10 m long
2 contacts: 1xNC + 1xNO	ZCWD2L1	ZCWD2L2	ZCWD2L5	ZCWD2L10
4 contacts: 2xNC + 2xNO	ZCWD4L1	ZCWD4L2	ZCWD4L5	ZCWD4L10

(3) Snap action contacts