

PRENSAESTOPAS ROSCA MÉTRICA Exe PARA CABLE NO ARMADO

Categoría:

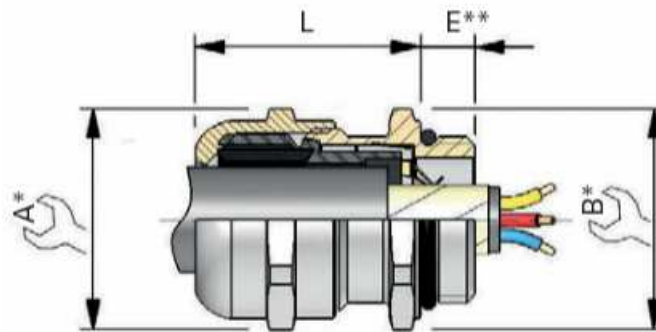
Zones 1,2, Group IIC
Zones 21 and 22, Grupo IIIC

Certificación ATEX e IECEX:

INERIS 13ATEX0008X
Ex eb IIC, Ex nRc IIC, Ex tb IIIC

Material:

Latón natural y acero inoxidable
Temperatura ambiente de uso: -20°C to +80°C
IP66



SELECTION TABLE		DIMENSIONS					GLAND SIZE	CATALOG NUMBER ISO (NICKEL-PLATED BRASS)	CATALOG NUMBER ISO (316 STAINLESS STEEL LONG FIXING THREAD)
THREAD SIZE ISO	BRAID THICKNESS	DIAMETER ON SHIELD	CABLE DIAMETER MIN - MAX	A	B	L (LENGTH)			
12	0.70	3.0	4.0 - 6.5	15	15	18	4	CAP193124V1	CAP193129V1
16	0.70	3.0	4.0 - 6.5	15	18	18	4	CAP193154V1	CAP193159V1
16	0.70	4.5	5.5 - 10.0	20	20	24	5	CAP193164V1	CAP193169V1
20	0.70	4.5	5.5 - 10.0	20	22	24	5	CAP193194V1	CAP193199V1
20	0.80	6.0	7.5 - 13.0	24	24	27	6	CAP193204V1	CAP193209V1
25	0.80	6.0	7.5 - 13.0	24	27	27	6	CAP193244V1	CAP193249V1
25	0.85	10.0	11.5 - 18.0	30	30	28	7	CAP193254V1	CAP193259V1
32	0.85	10.0	11.5 - 18.0	30	34	28	7	CAP193314V1	CAP193319V1
32	0.95	15.0	17.5 - 24.5	38	38	30	8	CAP193324V1	CAP193329V1
40	0.95	15.0	17.5 - 24.5	38	43	30	8	CAP193394V1	CAP193399V1
40	1.00	20.5	24.0 - 32.0	47	47	33	9	CAP193404V1	CAP193409V1
50	1.00	20.5	24.0 - 32.0	47	54	33	9	CAP193494V1	CAP193499V1
50	1.15	27.5	31.0 - 40.5	57	57	37	10	CAP193504V1	CAP193509V1
63	1.15	27.5	31.0 - 40.5	57	68	37	10	CAP193624V1	CAP193629V1
63	1.75	34.5	39.0 - 53.0	75	75	48	11	CAP193634V1	CAP193639V1